

UMG96 RM – Universal Measuring Instrument

The UMG96 RM is a compact multifunctional 4 quadrant meter for measuring and monitoring electrical parameters (True-RMS) in low and medium voltage networks. The meter collects the consumption of electrical energy. These include, for example, electrical standard features such as current, voltage, frequency and power, but also power quality values such as harmonic. Its high accuracy, compact design, extensive measurement data, a variety of bus connections and protocols and its innovative design make the UMG96 RM unmatched by any other. The UMG96 RM is available to order in several editions. The UMG96PA can be supplemented with additional RCM modules.



Technical Specifications

Environment conditions	
This product is designed to be safe under the following conditions:	
Location:	Indoors
Environment temperature:	-25°C .. +70°C
Relative humidity:	0% .. 90% RH
Degree of protection front:	IP40
Degree of protection back:	IP20
Specifications	
Measurement accuracy:	IEC 61557-12
Energy:	Class 0,5S (./5A)
Current:	0,5%
Voltage:	0,2%

Ordering Specifications

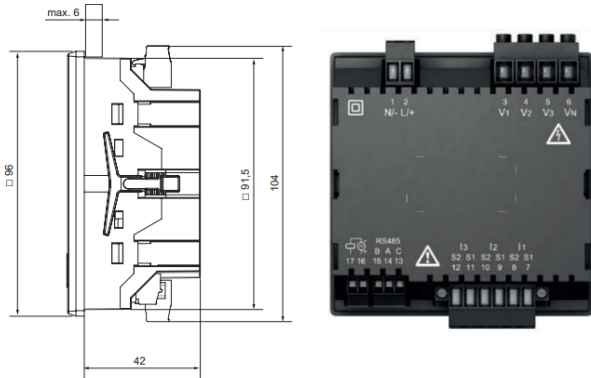
Type	UMG96S2	UMG96 RM-CBM	UMG96PA	Module UMG96PA RCM-EL	Module UMG96PA-RCM
Feed voltage	90..265V AC 90..250V DC	90..277V AC 90..250V DC	90..277V AC 90..250V DC		
Measurement voltage	20..300Vrms L-N 34..425Vrms L-L	20..300V L-N 34-520V L-L	20..600V L-N 34-1040V L-L		
Suitable for three phases right beneath zero	Nee	Ja	Nee		
Measurement current	0-1/0-5A 3 kanalen	0-1/0-5A 4 kanalen	0-1/0-5	+1	+1
Analogue input for temperature or earth fault notifications			-/1	3/1	3/1
Digital inputs		4	3		
Clock/memory maximal amount of values	Nee	256 MB/10.000k	Ja, 4 MB		
Limit value/pulse output	1 (kWh puls)	6	3		
Harmonic analysis	1..15 + THD	1..40 + THD	1..25 + THD		
Interfaces:					
- RS485	•	•	•		
- Ethernet		USB		•	
- M-bus					
- Profibus					
- Modbus TCP/P				•	
- Modbus Gateway				•	
- Webserver					
Artikelnummer	3U1077	3U1074	3U1086	3U1088	3U1089

For all actual data about the UMG96 RM, please consult <http://www.janitza.com/>

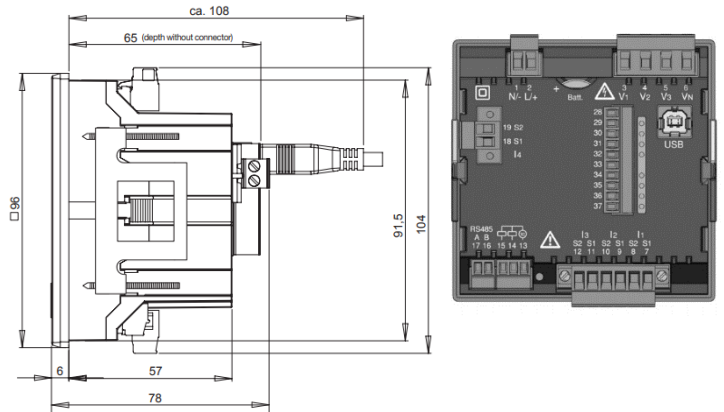


Dimensions

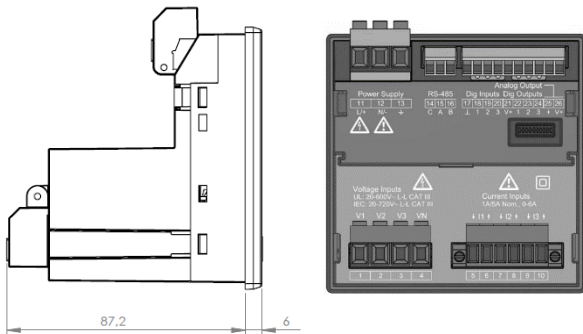
UMG96 S2



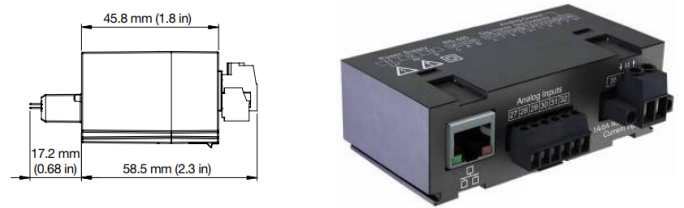
UMG 96RM-CBM
with USB connector inserted



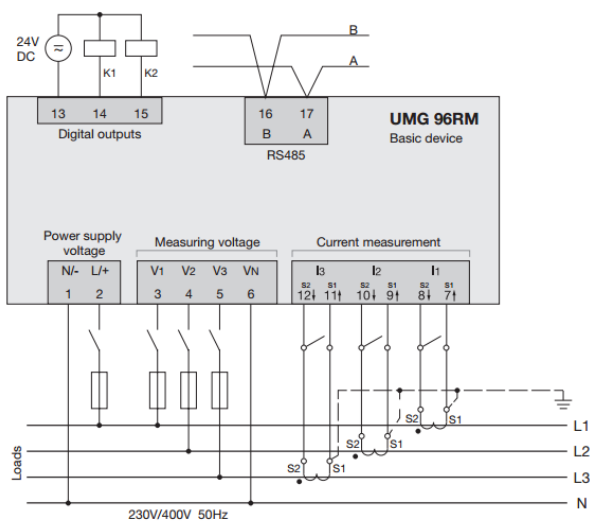
UMG96PA



UMG96PA-RCM-EL



Wiring Diagram*



Connection variant UMG 96RM

* The wiring diagram above is an example. Wiring diagrams of specific models are available on request.

For all actual data about the UMG96 RM, please consult <http://www.janitza.com/>