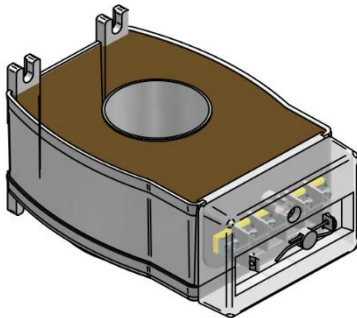


## SVA Stackable

The ELEQ SVA stackable is a flexible solution which delivers optimal functionality in minimal required space. Due to its large range capabilities, optimized size and various hole sizes up to 60mm it can offer a perfect fit for various applications. Due to the use of proven technology it can provide reliability and flexibility in one product.



### Expected ranges

Type	Range
Primary currents*	60-1500A
Output	1A-5A
Hole size	Up to 60mm
Measurement class**	0,5S
Protection class**	5P20

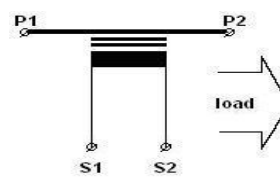
\* Combination of primary current, class and hole size determine feasibility and height of product

\*\* Other classes on request.

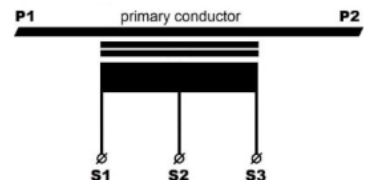
### Expected technical specifications

<i>Environmental conditions</i>	
Position:	Indoor
Environmental temperature:	-10°C to +55°C
Relative humidity:	5% - 85%, non condensing
Protection degree:	IP20
To be used on insulated primary conductor:	
<i>Specification</i>	
Standard:	IEC 61869-2
Rated Short time thermal current:	20kA 3s / 25kA 1s
Continuous thermal current:	100%
Rated insulation level:	0,72/3/-kV
Rated frequency:	50Hz
Isolation class:	E
Secondary leads:	Screw terminals Ø 5mm. Wire diameter max. 6mm <sup>2</sup> solid max 4mm <sup>2</sup> stranded

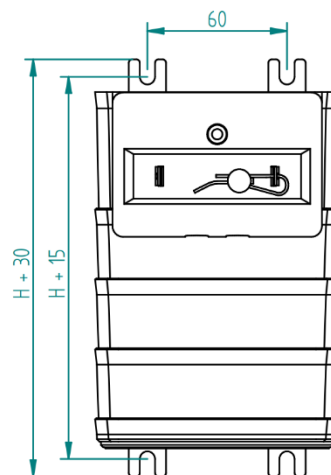
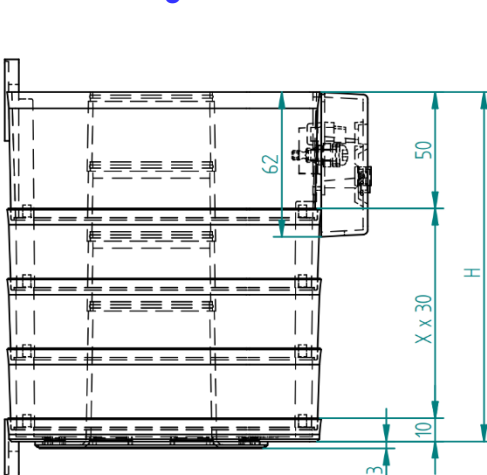
### Single ratio



### Multiple ratio



### Basic design - Dimensions



Height	
X	H
0	60
1	90
2	120
3	150

