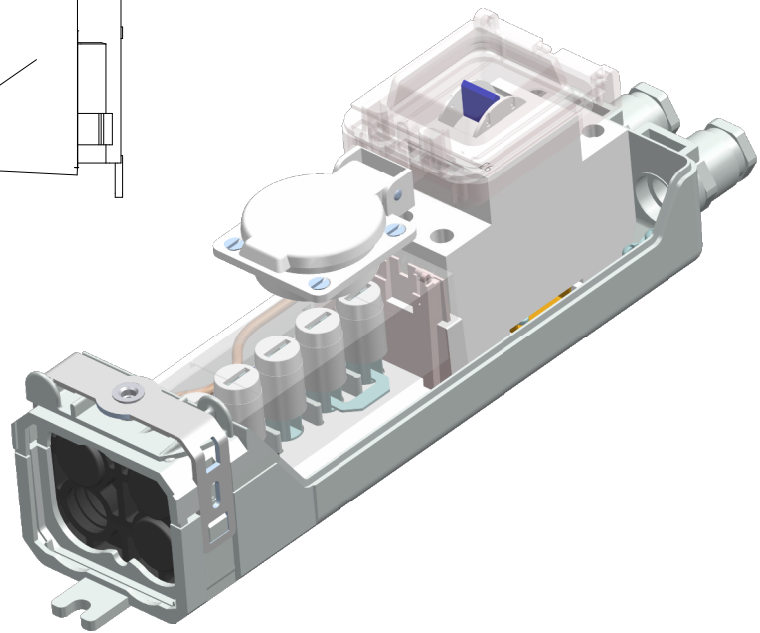
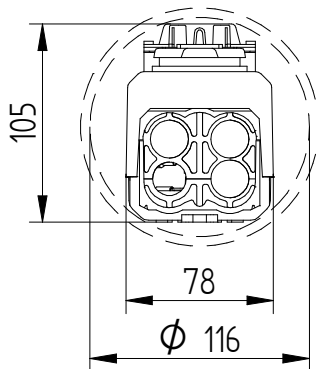
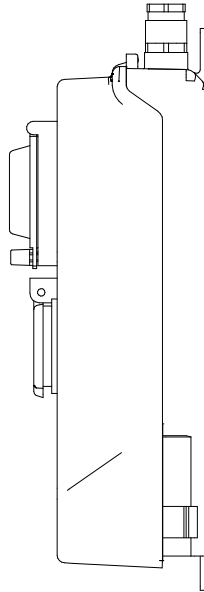
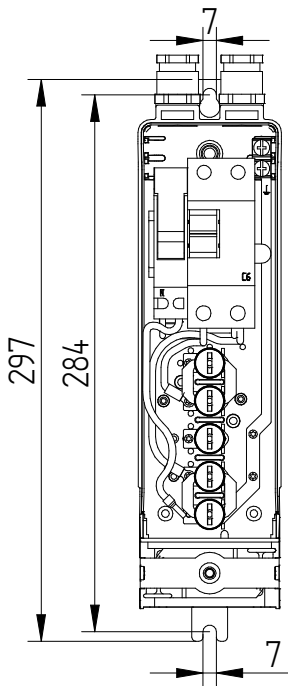


# LS-100

## 5L8024



### Specifications

Type : LS-100  
Article number : 5L8024

### Technical specifications

Minimum inside diameter : 116 mm  
Looping through : Yes  
Provided with : Automatic 30mA 16A C-Characteristic  
Suitable for : 1x Fuse (10x38), max 16A  
Number of terminals : 5 Pcs; 3x phase, zero, Earth  
Max. wire cross section : 2x 16mm<sup>2</sup>  
Strain relief : Yes, max. two ground cables  
23mm and 2 lightmast cords  
Earth-neutral connection : Yes  
Protection : IP44

### Details

Earth leakage circuit breaker accessible through sealable hinged cover  
Socket with earth

### Packing

12 Pcs in box or 216 Pcs per pallet  
Deliverable from stock

### Can be combined with

5L9970, 71, 72 : Profile for LS-100  
5L9950 : Cable bending tool  
5L9960 : Triangle key for LS-100

