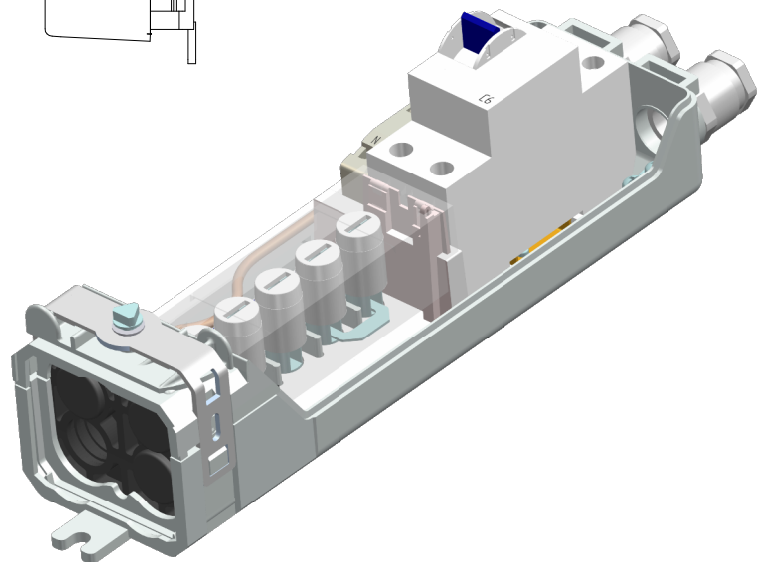
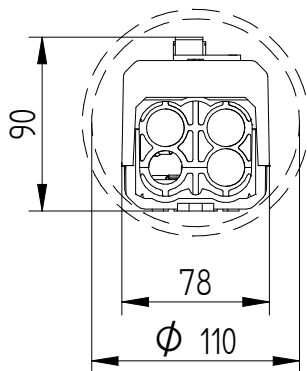
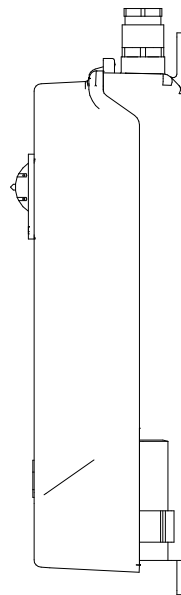
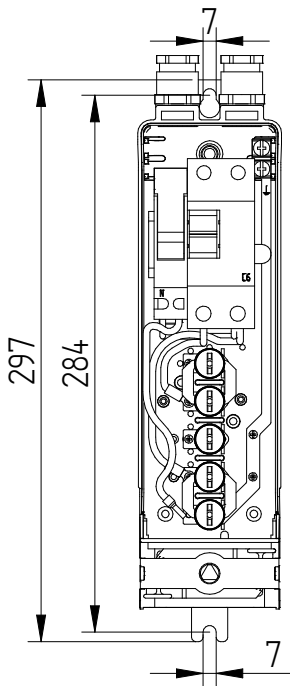




mastering electricity
worldwide

LS-100

5L8022



Specifications

Type : LS-100
Article number : 5L8022

Technical specifications

Minimum inside diameter : 110mm
Looping through : Yes
Provided with : Earth leakage circuit breaker
30mA 6A C-characteristic
Number of terminals : 5 Pcs; 3x phase, zero, Earth
Max. wire cross section : 2x 16mm²
Strain relief : Yes, max. two ground cables
23mm and 2 lightmast cords
Earth-neutral connection : Yes

Details

Controllable from outside

Packing

12 Pcs in box or 216 Pcs per pallet
Deliverable from stock

Can be combined with

5L9970, 71, 72 : Profile for LS-100
5L9950 : Cable bending tool

