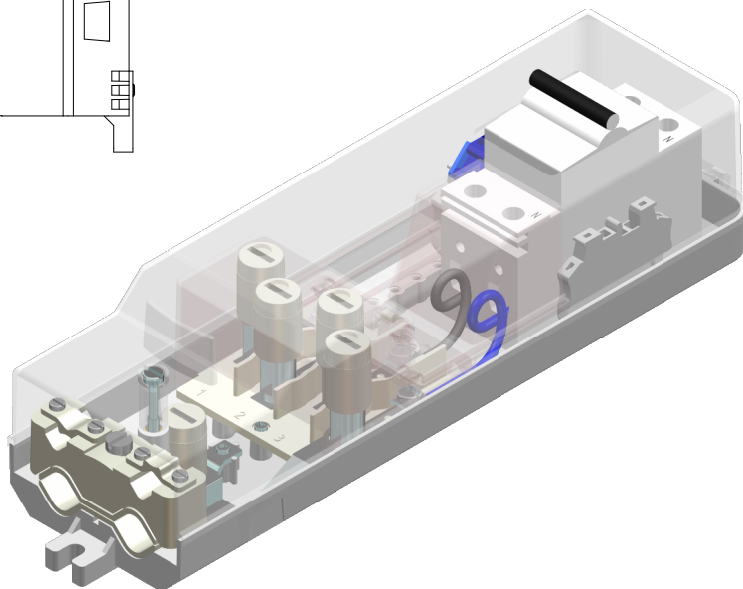
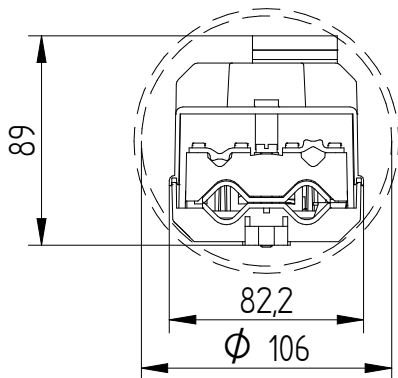
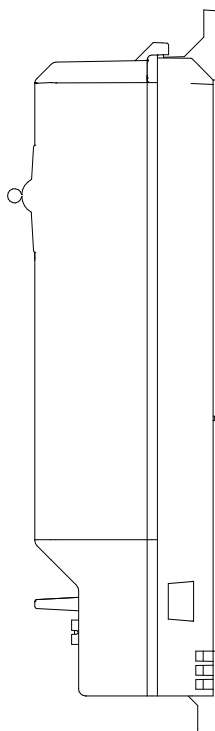
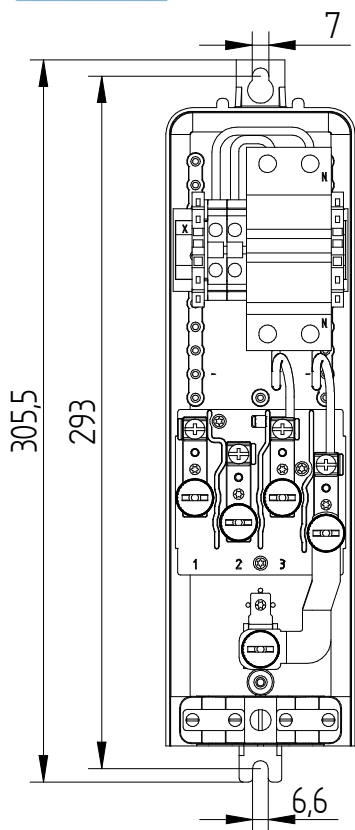


LS-110

5L6045



Specifications

Brand : ELEQ
 Type : LS-110
 Article number : 5L6045

Technical specifications

Minimum inside diameter : 106 mm
 Looping through : Yes
 Including : Circuit Breaker 10A C-char.
 Number of terminals : 5 Pcs; 3x phase, 1 neutral, 1 earth
 Max. connection per terminal : 2x 16mm²
 Strain relief : Yes, max. 2 power cables
 23mm and 2 armature cables
 Earth-neutral connection : Yes
 Earth litze : Included separately

Details

Measurement options
 Sealable inner cover
 Caps around 18 and 23 and earth litze
 supplied separately

Packing

12 Pcs in a box or 216 Pcs per pallet

To combine with

5L9978 : Triple strain relief

Use

Connection box suitable for lampposts,
 parking meters, camera systems,
 billboards, etc.

